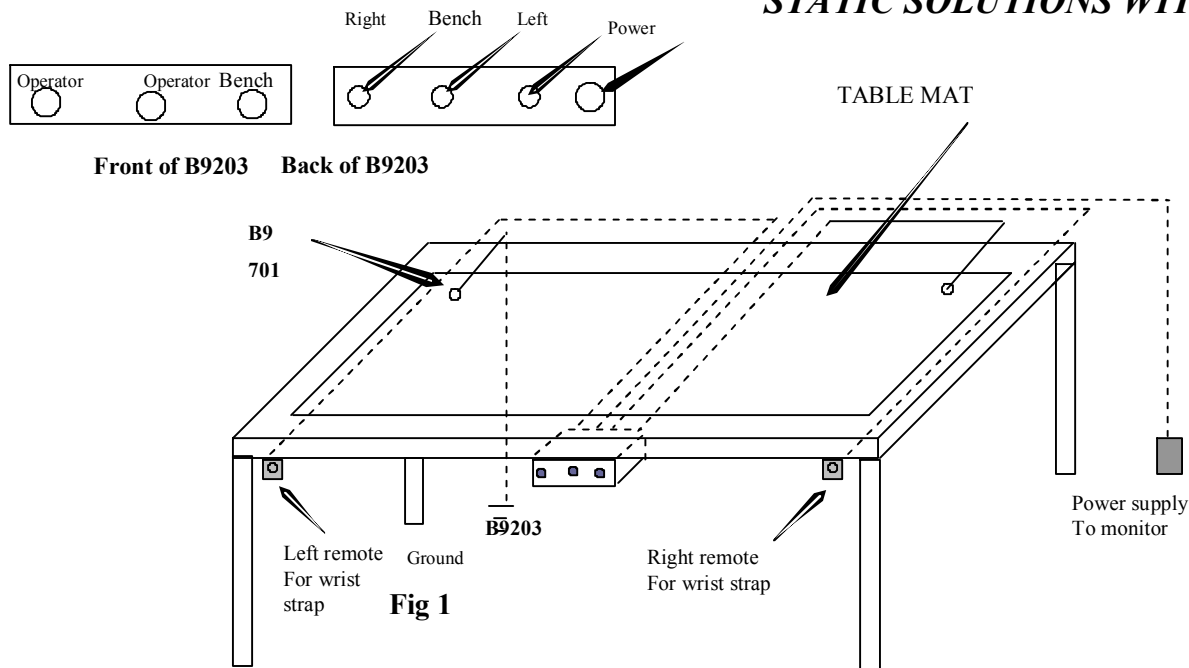
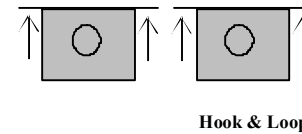


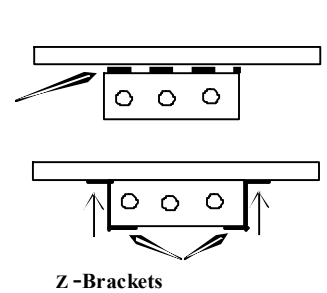
STATIC SOLUTIONS WITH SAVING



Left & Right Remotes

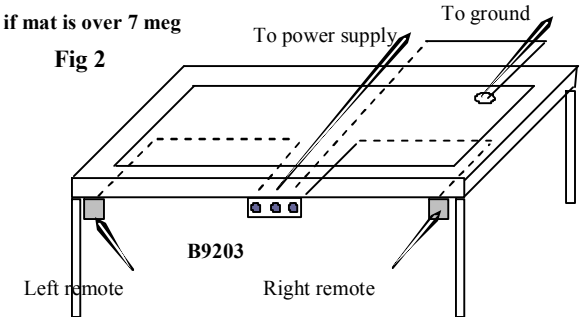


Mounting



Installation if mat is over 7 meg

Fig 2



INSTALLATION: Mat is less than 7 meg (Fig 1)

1. Mount monitor under bench area. (use Velcro or optional (Z) brackets)
2. Mount Left & Right remotes, connect wires to back of monitor B9203
3. Connect ground cord (B9701) to back left snap on mat and to ground.(can reverse for left install)
4. From monitor connect to back right snap.
5. Plug AC power supply to monitor and grounded 110v outlet
6. LED will light up Bench should be Green
7. Left & Right operator LED's should be Red and alarm will sound 4-6 beeps
8. Monitor is ready to use
9. With wrist strap worn plug into monitor, LED will go from Red to Green

If mat exceeds 7 meg connect per Fig 2.

(your mat ground will still be monitored)

Note: This monitor system needs two snaps on mat and grounding hardware, per Fig 1

B6100, B6200, B6400 & B6600 series use **Fig 1**.
 B4100, B4600, B5100 & B7100 series need to be installed per **Fig 2**.

OPTIONAL PRODUCTS NEEDED

B9701 Molded 10' ground to ring
 B9881
 B9203BKT